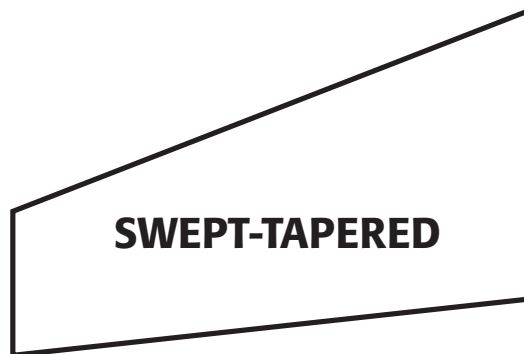
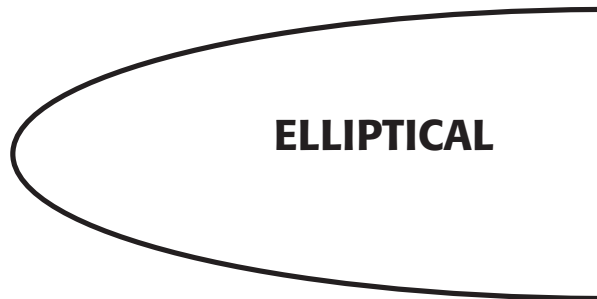




Common Fin Shapes





Name _____
Class _____

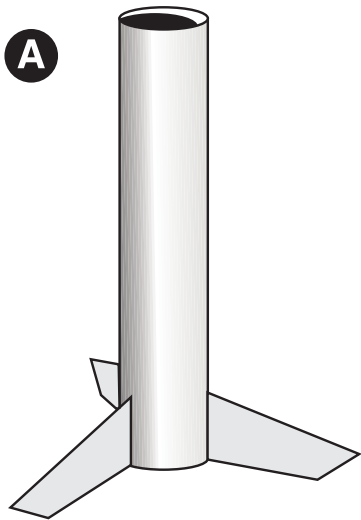
Date _____

Design Considerations for Fins

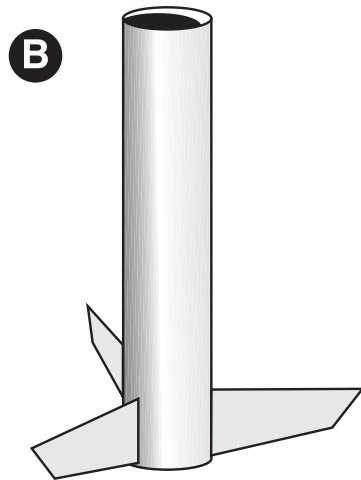
Provide a thumbnail sketch of a rocket for each of the four common fin shapes.
Identify the fin shape below each sketch.



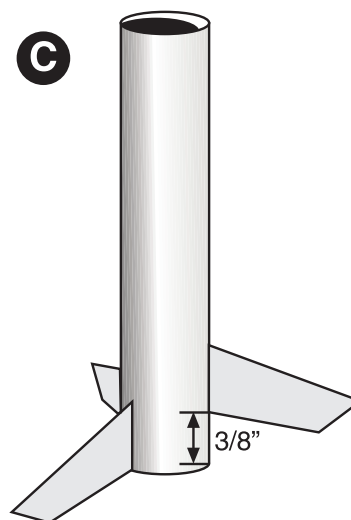
Fin Positions



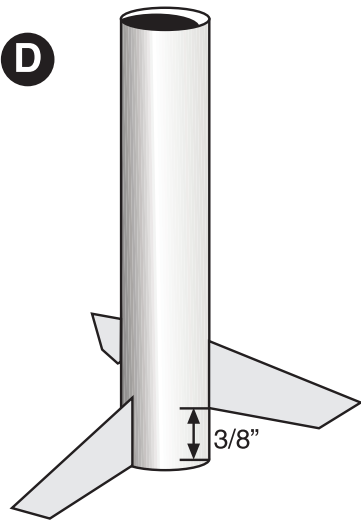
Normal Position



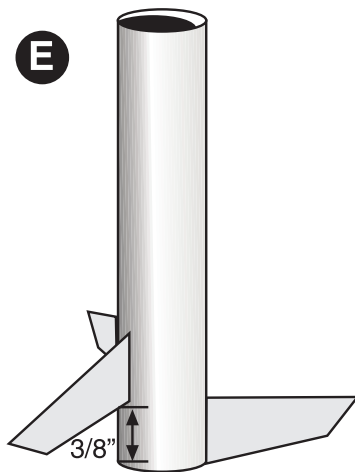
Inverted or Reversed Fins



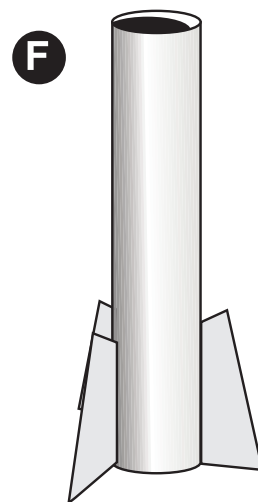
One Fin Up



Two Fins Up



One or Two Fins Inverted & Up



Different Root Edge



Nose Cone Shapes





Parts of a Fin

